



**DCH-6000EC**  
**Professional HEVC 4K Encoder**



The DCH-6000EC is a high quality multiple program high definition H.264 (AVC)/H.265 (HEVC) encoder. It can receive and encode four SD/HD or one 4K with H.264/H.265 compression. The internal built-in Time Base Correction functional block ensures the stability of encoding process from audio and video intermittence. The internal re-multiplexing function allows creation of a new TS formed with the TS internally encoded and the TS IP input. The output can be SPTS or MPTS over IP, as well as over ASI.

**Main Feature**

- Multiple video resolution including 2160p, 2160i, 1080p, 1080i, 720p, 720i, and 480p, 480i
- Multiple inputs 3G/HD/SD-SDI
- Internal Time Base Correction (TBC)
- MPEG-1 Layer II & AAC LC audio encoding
- Supports 10/1000M TS/IP SPTS and MPTS
- Built-in re-multiplexer
- Supports VBR and CBR encoding modes
- Remote Control and Supervision by SNMP, HTTP WEB

**Specification**

Video Compression	
Video Format	2160p (3840×2160) 1080p (1920×1080) 1080i (1920/1440×1080) 720p (1280×720) 480i (720×480) 576i (720×576)
Video Format Rate	60,59.94,50,30,29.97,25,24,23.97
Compression Standard	H.265 (HEVC),H.264 (AVC), High Profile Level 4.0
Aspect Ratio	4:3 / 16:9
Sampling	4:2:0 8bits 4:2:0 10bits 4:2:2 8bits 4:2:2 10bits
Video Encoding Bit Rate	200Kb/s-80Mb/s
Recommend Video Encoding Bit Rate	3840x2160p /60p/59.94p/50p 6-16Mb/s 1920x1080p / 59.94/50 fps: 2~8Mb/s 1920x1080i /25/29.97fps: 1~6Mb/s 1440x1080i /25/29.97fps: 1~6Mb/s 1280x720p /50/59.94fps:1~6Mb/s

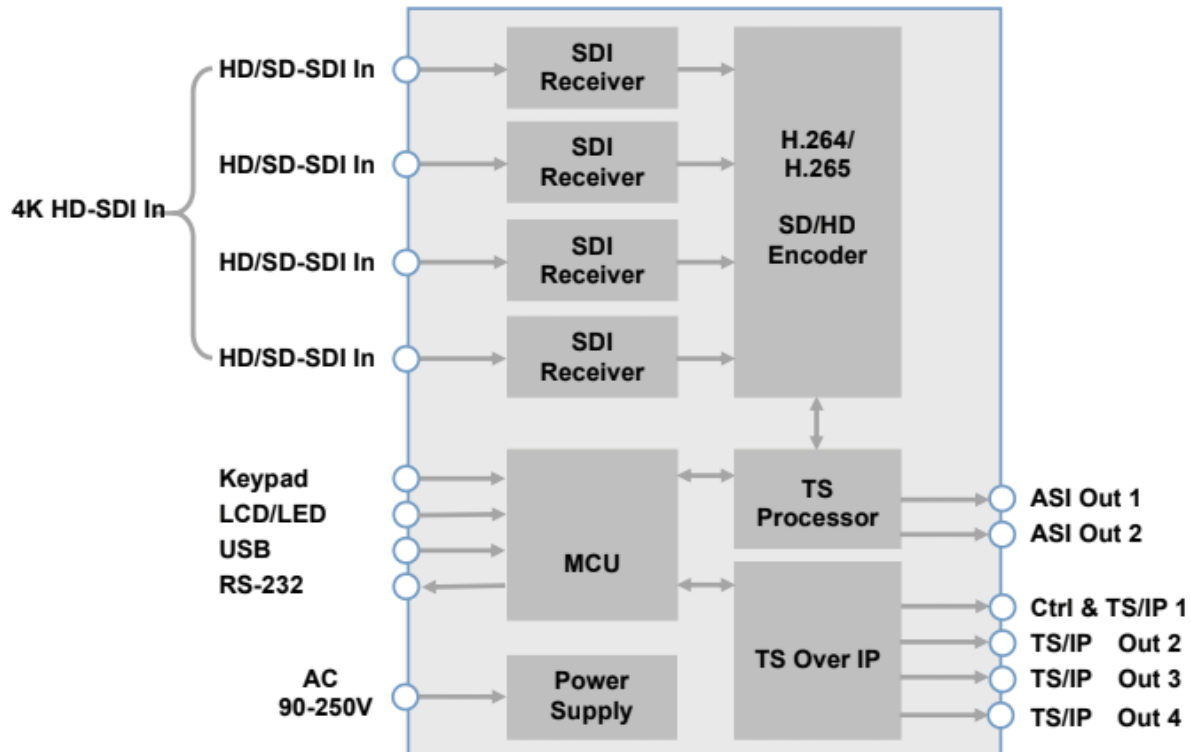


	720x480i /29.97fps: 500k/s~4Mb/s
<b>Audio Compression</b>	
Compression standard	MPEG-1 Layer II, AAC LC
Audio Input	Embedded Audio (from SDI )
Audio Channels	Stereo, Mono
Audio Sampling Rate	48KHz
Audio compression Bit Rate	64 ~ 384Kb/s
<b>Audio/Video Input Interface</b>	
HD-SDI	1×BNC Female, 75Ω
<b>TS Processing</b>	
Service and PID management	Filtering and remapping
TS Input Management	Remux
PSI/SI	PSI/SI table regeneration, NIT and SDT edition
<b>TS over IP</b>	
Connector Type	4×RJ-45, 10/100/1000 Base-T
Useful bit rate	800Mb/s
Protocol	UDP, RTP/UDP, Multicast, Unicast,HLS,RTMP IGMPv2, ARP
Source	Built-in Re-mux, ASI input, Encoder
<b>ASI Output</b>	
Connector Type	2×BNC Female, 75Ω
Output bit rate	≤ 99Mb/s
Packet Length	188 Bytes
Signal Level	800mVpp±10%
<b>Control &amp; Monitoring</b>	
Connector Type	1×RJ-45, 10/1000 Base-T
Remote Control	SNMP, HTTP Web
Local Control	LCD display and 6-key keypad
Software Upgrade	web
<b>Physical</b>	
Dimension	44mm×483mm×318mm
Net weight	5 Kg
Power supply	AC90~250V, 50Hz/60Hz
Power Consumption	Maximum 20W
Operating Temperature	0 ~ 45°C
Storage Temperature	-10 ~ 60°C
Humidity	10 ~ 90%, non-condensed





**Block Diagram**



**Back Panel Interface**

