



# DCH-5200P

## HD 4:2:0 IRD and Processor

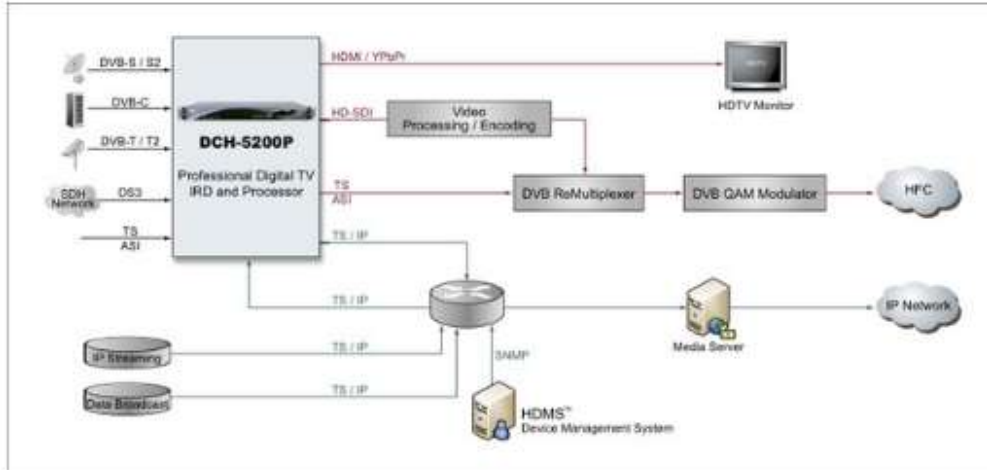
### General:

The DCH-5200P IRD and Processor provides operators an ideal solution for receiving, remultiplexing, descrambling and decoding operations. Equipped with a variety of inputs that ensures compatibility with all transmission media. The DCH-5200P's remultiplexing capabilities enable creation of new transport streams that are subsets of the original stream. Customized services may be output as multiple SPTS or MPTS over IP, as well as over ASI. By the dual DVB common interfaces, DCH-5200P could decrypt multiple services in one transport stream or two. DCH-5200P is also a professional IRD that features a broadcast quality decoder for MPEG-2 and MPEG-4 AVC/H.264 in both Standard Definition and High Definition formats, and provides a variety of industry standard digital and analog outputs, including CVBS video, AES/EBU Audio, analog Audio, SD-SDI and HD-SDI. The unit also performs HD down-conversion and aspect ratio adaptation of HD programs to generate professional quality baseband analog video and audio outputs for easy integration with existing cable network infrastructure. This all-in-one architecture makes the DCH-5200P an ideal product for distribution and contribution networks.



### Features:

- Variety of input options DVB-T/S2/S/C/DTMB/ATSC/ISDB-T, DS3/E3, TS/IP and ASI
- Supports DVB-S2 Input Stream Identifier (ISI, optional) and DVB-T SFN MIP pass through
- Redundant backup among Tuner, ASI and TS/IP with configurable priority
- SD/HD MPEG-2 and MPEG-4 AVC/H.264 digital video decoding
- Two Audio PIDs decode or pass through (compressed) in SDI output
- Multiple Analog and Digital Outputs, ASI, CVBS, YPbPr, HDMI, SD/HD-SDI, AES/EBU Audio, TS/IP
- Built-in TS re-multiplexer receives ASI, Tuner and TS/IP Inputs
- 2x DVB-CI Slots, multi-program decryption, BISS-1 and BISS-E decryption
- Dynamic PMT detection and automatic updating
- Supports VBI TELETEXT, EBU/DVB Subtitle, Closed Caption
- UDP/RTP, Unicast/Multicast, and SPTS/MPTS over IP (full duplex, optional)
- Remote Control and Supervision by SNMP, HTTP WEB and Proprietary HDMS software
- PCM audio embedded in SDI and HDMI outputs
- PCM audio output on two AES/EBU audio output ports
- On Site software update through IP
- RSSI, received Eb/No & BER monitoring



## Order Information:

Model		DCH-5200P			
Interface		-20X	-22X	-30X	-32X
Tuner Input		• Input signal: DVB-S2, DVB-T, ISDB, ATSC, DTMB, DS3 Standard configuration: X=S2			
TS Input	ASI In x2	•	•	•	•
TS Output	ASI Out 2x2	•	•	•	•
CI	CI x2	•	•	•	•
Video/Audio Output	SD SDI	•	•	•	•
	HD SDI			•	•
	HDMI x1	•	•	•	•
	CVBS x1	•	•	•	•
	Audio1	•	•	•	•
	Audio 2	•	•	•	•
TS/IP	GbE RJ45 x1		•		•
Upgrade	USB x2	•	•	•	•
Management	RJ45 x1	•	•	•	•
ALARM/RELAY	1*D9	•	•	•	•



## Back panel Interface (Full option)

